

**The
B.C.
ARCHER**

MA 1979

B.C.A.A. OFFICERS

PRESIDENT	FRED USHER	12C Cedar Cr. Mob. Home Pk., Mill Bay, VOR 2P0	743-3045
VICE PRESIDENT	DON WARREN	12370-244th St., Maple Ridge, V2X 6X4	463-4290
PAST PRESIDENT	DAVE WEBB	1224 Grand Blvd., N. Vancouver V7L 3X4	980-2857
ZONE 1	DAVE WEBB	1224 Grand Blvd., N. Vancouver V7L 3X4	980-2857
ZONE 2	JIM WIEBE	1905-37th Ave., Vernon, V1T 2W9	542-8954
ZONE 3	STAN TEITGE	4313 Vanguard Pl., Victoria, V8Z 5K7	479-1240
ZONE 4	TERRY PURCELL	3722 Brentwood Cr., Prince George, V2K 3C1	962-9496
ZONE 5	RICK LEVITT	516 Cottonwood St., Nelson, V1L 3V6	352-5851
DIRECTOR	GEORGE OIKE	9266-134 A St., Surrey, B.C., V3V 5S9	581-6853
DIRECTOR	CLIFF ALLAN	905 Dunn Ave., Victoria, V8S 2S5	384-0868
DIRECTOR	ROY JARVIS	2753 Peatt Rd., Victoria, V9B 3V2	478-5346
DIRECTOR	DAVID MANN	6337 Larch St., Vancouver, V6M 4E9	266-2792
DIRECTOR	ALAN GERARD	13970-90th Ave., Surrey, V3V 6L1	596-8242
TREASURER	RON BOORMAN	#39-8th St., New Westminster, V3M 3N7	524-1674
SECRETARY	HELENA MYLLYNIEMI	3210 Browning St., Victoria V8P 4C4	592-0673
MEMBERSHIP	JIM WIEBE	1905-37th Ave., Vernon, V1T 2W9	542-8954
EDITOR	JOAN WIEBE	1905-37th Ave., Vernon, V1T 2W9	542-8954
BOWHUNTING	MORRIS ELLIOTT	24733 Halnor Ave., Maple Ridge, V2X 4A1	463-6018
JUNIOR OLYMPICS	CLIFF ALLAN	905 Dunn Ave., Victoria, V8S 2S5	384-0868
CLINICS	DAVE MANN	6337 Larch Street, Vancouver, V6M 4E9	266-2792
RECORDS	DAVE BALL	4015 Grange Rd., Victoria, V8Z 4V4	383-2623
PRO REP	RON BOORMAN	#39-8th St., New Westminster, V3M 3N7	524-1674
F.C.A. DIRECTOR	DAVE WEBB	1224 Grand Blvd., N. Vancouver, V7L 3X4	980-2857

This is our 1979 slate of officers for The British Columbia Archery Association.

Please correspond directly with the officer involved with your concern.

Don't forget to renew your membership for 1979 in the B.C.A.A. and the F.C.A. You must be a member to participate in the championship events such as the B.C. Indoor and the B.C. Outdoor Championships, the B.C. Mail Match, and the B.C. Summer Games. F.C.A.

membership entitles you to participate in their Mail Matches, the Canadian Championships and it gives us an allotment of F.I.T.A. Star tournaments in our province.

Coming Events .

<u>May</u>	6	- Bowhunters' Shoot - M.R.A.C.
	6	- Hoot Shoot - Kitimat
	12, 13	- Canadian Star - Vic. Bowmen - Qualifier for Can. Outdoor
	19, 20	- Mud Shoot - Smithers
	20	- York Round - M.R.A.C.
	26, 27	- Queen Victoria Shoot - Seaview Archers - W.P.A.A. Semi Ann. A.G.M.
<u>June</u>	1 to 15	- Pan-Am in Puerto Rico
	2, 3	- Canadian FITA Star - M.R.A.C. - Qualifier for Can Outdoor
	2, 3	- Summer Games Trials - Smithers
	2, 3	- Summer Games Trials - Zone 2 - Can. 900 - Vernon Jun. Tokophillites
	3	- Cowichan Bowmen Annual Tournament -
	9, 10	- Fraser Valley Outdoor Championships - M.R.A.C.
	16, 17	- FITA Star - Seaview - Qualifier for Canadian Outdoor
	23, 24	- Cactus Flower FITA Star
	23, 24	- Canada Week Shoot - Kitimat
	24	- Vanc. Isl. Outdoor Championships - Cowichan Bowm. Duncan.
	30 to July 1	
<u>July</u>	7, 8	- Unl. Archers - Clydesdale Open - Cloverdale - Can 900/Clout
	14, 15	- Billy Barker Days Archery Tournament - Quesnel Brit. 900
	14, 15	- Big Game Safari - L.M.A.A. - Flashlight Shoot
	14 to 20	- World Championships - Berlin
	15	- Yellowhead Double 900 - Terrace
	21, 22	- PNAIA in Tacoma, Wash.
	28, 29	- FITA Star - M.R.A.C.
	31 to Aug. 4	- Spartakia in Moscow
<u>August</u>	3 to 5	- B.C. Summer Games - Richmond
	7 to 10	- U.S. Nationals in Oxford
	7 to 13	- Canadian Outdoor Championships in Glory Hills, Edmonton
	12	- Victoria F.&G. Bowhunters' Shoot
	12 to 19	- Western Canada Games in Saskatoon - Archery - 16 to 19
	18, 19	- Skeeter Shoot - Smithers
	25, 26	- Corn Shoot - L.M.A.A.
<u>September</u>	1, 2	- B.C. Outdoor Championships - A.G.M. - Victoria Bowmen
	1, 2, 3	- Alberta Outdoor Championships
	9	- W.P.A.A. Shoot - Richmond
	15, 16	- Canadian FITA Star - Taber, Alta.
	16	- Vic. Bowmen Clout
	22, 23	- Canadian FITA Star and Dan Mawer Memorial Shoot - Vic. Bowmen
	30	- Clout and Corn Feed - M.R.A.C.
<u>October</u>	12, 13	- 4th Field of Americas in Mexico
	27	- Halloween Masquerade Invitational Ball (and no shoot)
<u>November</u>	25	- S.O.B. Practice Round - M.R.A.C.
<u>December</u>	1, 2	- Harrison Open
	9	- AGM - M.R.A.C.
<u>January</u>	9, 1980	- Las Vegas Open

Editor's Note: The B.C. Archery Association will be sending a full team to The Canadian Championships in Glory Hills, Alberta as well as The Western Canada Games in Saskatoon, Saskatchewan. If you are interested in either coaching or managing one of these teams, please contact Fred Usher, president of the B.C.A.A., before the first week in May so the applications can be considered at the next director's meeting on May 12 in Victoria.

Letters

Editor: We would like to thank bowhunting director, Morris Elliott, and the B.C.A.A. for the fine bowhunting clinic that was brought to Prince George. We hosted the first clinic in the province for the new program and it turned out very well. We will send a more detailed report to Morris and the F & W. We will continue to present the clinics in the north whenever needed. We hope that once all parts of the province have had the opportunity to hold the clinics and the program is finalized, that it will become part of the CORE hunter training program. Lets all B.C.A.A. bowhunters get behind the program as it will work with a little effort from all.

John Francis - President, Northland Bowhunters



F.I.T.A. QUALIFIERS

The Victoria Bowmen FITA Freaks will again host monthly Qualifiers during 1979 with the view of raising the level of archers in B.C. and give every opportunity to all to make that team, be it Provincial, National or international.

Register today and join the shooting line on any or all of the following dates:

April 22	- starting at 9:30 a.m.	Full FITA Round
May 30	- starting at 6:00 p.m.	Two longest distances
May 31	- starting at 6:00 p.m.	Two shortest distances
June 19	- starting at 6:00 p.m.	Two longest distances
June 20	- starting at 6:00 p.m.	Two shortest distances
July 15	- starting at 9:30 p.m.	Full FITA Round
October 8	- starting at 9:30 p.m.	Full FITA Round

Location - Wilfert Road Range of the Victoria Bowmen, Victoria, B.C.

Cost - \$3.00 per shoot - make cheque payable to Victoria Bowmen

Send to: Vi Muir, Registrar, Victoria Bowmen, c/o Muir Archery Supplies,
894-b Cloverdale Ave., Victoria, B.C., V8X 2S8

Note: Bring your lunch to all Qualifiers excepting October 8 which will be a Potluck lunch. In this instance, bring your favorite casserole, salad, dessert or whatever.

Send your name, category, address, and F.C.A. membership number to the Registrar, Vic. Bowm. Also, include which dates you wish to shoot.

THE NANAIMO ANNUAL ST. PATS SHOOT held on March 11, 1979

Results

MENS FREESTYLE	- Phil Talbot	-787
	- Vilho Myllyniemi	-774
	- John Tinker	-760
MENS UNLIMITED	- Mike Darrell	-856
	- Andy Woo	-847
	-John Soper	-834
LADIES FREESTYLE	-Wanda Allan	-778
	-Peggy Hicks	-747
	-Mary Wills	-737
PROFESSIONALS	-Cec Meehan	-871
	-Rory Glennie	-868
	-Ron Boorman	-853
JUNIOR BOYS FS	-Vesa Myllyniemi	-800
	-Dave Sayers	-755
	-Victor Walther	-726
HEAVY TACKLE	-John Plank	-728
	-Randy Mayovsky	-716
	-Al Jones	-658
LADIES UNLIMITED	-Karen Jones	-797
	-Cathy Glennie	-785
	-Rosalin Burgess	-772
MENS BAREBOW	-Dave Ball	-670
	-Dale Crump	-635
JUN. GIRLS FS	-Roberta Barker	-693
CADET BOYS FS	-Steve Moore	-702
CADET GIRLS FS	-Tanna Allan	-672
CADET BOYS BB	-Peter Sager	-681

We had a very good turn out this year. There was a total of 46 competitors. I would like to thank all the people that came to our shoot to make it a success.

Brian Chipperfield

TOP 10 BOARD

SEAVIEW ARCHERS

Al Wills	297
Vilho Myllyniemi	280
Mark Cramer	279
Arnie Hicks	275
Vesa Myllyniemi	271
Wanda Allan	271
Vi Muir	271
Dave Sager	269
Harvey Godfrey	268
John Tinker	267

MEN FREESTYLE

John Tinker	1074
Ron Mayovski	1057
Dave Ball	1054
Arnie Hicks	1048
Vilho Myllyniemi	1002
Ivan Buchanan	1000
Randy Mayovski	973
Mike Keepence	885

MEN UNLIMITED

Mike Darrell	1147
Don Buchner	1131
Pete Colyn	1116
Bruce Somers	1087
Ray Hovell	1030
Roy Jarvis	1006

MEN BAREBOW

John Plank	993
John Wells	757

LADIES BAREBOW

Norma Kienas	778
Lynn Plank	677

JUNIOR BOYS FREESTYLE

Dave Sager	973
Ian Hicks	947
Rick Taylor	754

JUNIOR BOYS BAREBOW

Robert Burns	753
Jason Kienas	703
Wayen Carmicheal	654

CADET BOYS FREESTYLE

Perry Cosgrove	959
John McDonald	956
Bruce Taylor	606

LADIES FREESTYLE

Gerri Cosgrove	1081
Kay Smedley	995
Gayle Cho	969
Mary Wills	955
Peggy Hicks	954
Dodie Jarvis	910
Wanda Allan	895
Bev Somers	860
Roberta Hovell	930

PROFESSIONALS

Allan Wills	1145
-------------	------

LADIES UNLIMITED

Thanna Buchner	1116
Deborah Colyn	642

HEAVY TACKLE

Brian Chipperfield	992
Bruce McKay	918
Al Jones	861
Ed Le Vecque	551

JUNIOR GIRLS FREESTYLE

Darilyn Teitge	874
Pam Dyson	633
Paivi Myllyniemi	621

JUNIOR GIRLS BAREBOW

Peggy Wells	406
-------------	-----

CADET GIRLS FREESTYLE

Roberta Barker	975
Tanna Allan	889

CADET BOYS BAREBOW

Pete Sager	896
Brian Carmicheal	649

T.C.'s - Roy Jarvis, Fred Usher, Dave Ball
Lunch & Scorekeeping - Helena Myllyniemi,
Mrs. McDonald, Mrs. Barker, Rose Allan.

the CANADIAN



Mail Match 1979



MAIL MATCH SECRETARY - JAMES WIEBE

FINAL RESULTS OF MAIL MATCH 1979

The dates: August 7 to 13, 1979
The Location: Glory Hills Archery Club at Lake Eden
 (22 miles west of Edmonton, Alta.)

- 1979 HIGHLIGHTS:**
1. Unlimited camping & tenting facilities for all participants on site!
 2. Running water and shower facilities available on site!
 3. Good trout lake and supervised swimming beaches on site!
 4. Many supervised sports and recreation programs available on site! Re: Swimming lessons, fly fishing lessons
 5. Hiking nature trails and other summer activities areas on site! Re: football fields etc.
 6. Skateboard park & skateboard lessons available on site!
 7. For those of you who are Hot Dog Skiers (Winter Skiing), there is a summer practice ski-jump on site!
 8. A licensed restaurant, cocktail lounge and banquet facilities on site! (The Chalet features gourmet food in both the dining room and at the banquets.)
 9. Games and activities rooms available on site for all archers and their families!
 10. Only 2½ hours driving time from the mountains, and ¾ hours from Jasper National Park!

1979 CHAMPIONSHIP FEE STRUCTURE:

- A. Shooting Fees:**
 - Senior - \$9.00 per day, \$36.00 per week.
 - Junior - \$5.00 per day, \$20.00 per week.
 - Professional - same as senior
 - Field (Unmarked Hunters) - \$9.00.
- B. On site banquet & facilities fees:**
 - Camping & Tenting - no charge
 - Welcome Wine & Cheese Party - no charge
 - Glory Hills Bar-B-Que and Firepit Party - no charge
 - Games and partyroom facilities (open at all times) - no charge
 - Friday night Dinner and Disco - \$8.00 est.
 - Awards Banquet - \$12.00 est.

HOTEL/MOTEL ACCOMMODATION: Excellent Hotel/Motel accommodation is available within 15 minutes of the shooting site. The next bulletin will follow up on this

PROFESSIONALS	JAN AVE	FEB AVE	HIGH	ADULTS	Continued
Ron Boorman	281	290	296	1st	Ted McDowell 257 269 274 1st
JUNIORS & CADETS					
Tom Kennedy	281	284	290	1st	Wanda Allan 256 263 272
Jeff Ulrikson	271	266	277		Bruce Ryan 255 262 278
Pat St. Louis	258	268	272		Terry Purcell 253 248 271
Steve Portsch	235	234	251		John Tinker 252 262 273
Peter Lowe	225	incomplete	239		Don Ferguson 251 231 264
ADULTS					
Mike Darrell	289	293	297	1st	George Russell 248 244 267
Phil Talbot	283	286	290		Gayle Cho 244 247 255 1st
Gary Dextras	279	283	288		Steve Dubas 244 244 262
Dave Mann	279	incomplete	284		Janis Dextras 239 253 256
James Wiebe	277	291	294	1st	Dennis Turnquist 237 261 268
Don Warren	275	286	290		Walter Schlueter 236 248 256
Faith Anne Lee	275	274	287		Jergen Jergensen 233 259 262
Erling Jensen	273	276	284		Walter Brix 230 incomplete 247
Larry Lee	272	incomplete	282		Lyle Anaka 230 249 255
Bill Pansey	272	283	285		Sue Purcell 228 238 244
Randy Mayovsky	272	263	278		Dick St. Louis 226 263 268 1st
John Brooks	271	275	281		Ed Trudeau 225 256 263
Vilho Myllyniemi	269	273	275		Glen Valentine 223 221 234
Stan Cotterill	268	280	282	1st	Dave Williams 220 245 250
Ron Mayovsky	266	271	273		Tom MacKenzie 215 incomplete 231
Ken Holfeld	263	266	270		Dave Lowe 207 192 226 1st
Guy Duguay	262	275	278		Debbie Adrian 190 210 224
Hilda Lundstrom	262	276	282		Armelle Kennedy 202 214 228 1st
J.P. Doiron	260	277	284		Vern Henkel 188 incomplete 212
					Fred Lassek 181 202 221
					Bob Steele 144 incomplete 196
					Harvey Mitchell 138 188 196 1st



B.C. Archery Association



AMATEUR TOUR - SUMMER 1979

Norma Kienas, Holker Place, Malahat P.O.
Malahat, B.C. Ph. 478-3527

I will be organizing an Amateur Summer Tour Program for the outdoor season starting in April and ending with the B.C. Outdoor in September. Tournaments on the tour will be:

VANCOUVER ISLAND

Nanaimo
Victoria Bowmen York Round
Queen Victoria Shoot
Cowichan Bowmen
Victoria Fish & Game Bowhunters

MAINLAND

Maple Ridge York Round
L.M.A.A. Corn Shoot
L.M.A.A. Safari Shoot
Fraser Valley Championship
B.C. Outdoor (1st day only)

Scoring to be on a point system: 1st - 7 points, 2nd - 6 points, 3rd - 5 points. Everyone else who attends the tournament will receive four points. An archer doesn't have to place in these tournaments to win. Accumulating points at as many shoots as possible could make you a winner. This tour is open to all men and women, B.B., F.S., Ltd., Unltd., H.T.

First Prize ... a year's membership in B.C.A.A. in 1980.

Second and third prize to be announced later in the program.

RULES

An archer must be a B.C.A.A. member
Host club responsible for sending me the results within 7 days of the shoot
No fees
Don't send scores, just placing of the archers, category, and names of other archers attending the tournament.

I hope this will be a success and get a few more archers out to the local shoots.

Norma Keinas

SECOND ANNUAL - BILLY BARKER DAYS ARCHERY TOURNAMENT - July 14, 15 Quesnel, B.C.

Pre-registration preferred

\$7.00 - Adults \$5.00 - Juniors Canadian 900 each day

For further information - Dan Karey - 747-1447 or Rick Kirby - 992-8960

Send entry to - Dan Karey 1930 Marble Street
Quesnel, B.C.
V2J 4M4



FEDERATION OF CANADIAN ARCHERS AMATEUR ARCHERY STATUS

1. An amateur archer is anyone who devotes and continues to devote themselves to the practice of the sport of archery for pleasure and diversion without deriving any material personal profit from competing in the sport; the archer will strictly observe the agreed rules and procedure in a spirit of fair play and discipline.

2. The amateur archer shall not accept pay for coaching. A school or college teacher (including physical education teachers) and other individuals such as camp counselors and those working for community organizations or other non-profit entities whose work is solely educational, and gives elementary instruction, shall be eligible as amateurs.

3. The amateur archer shall not accept money from a firm or individual engaged in some phase of archery promotion without regularly being on the payroll and work at a specific job in the organization. If the archer is employed by an archery manufacturer or sales firm, the archer shall not receive paid time off during the normal work week (35 hours) for the practice of archery and shall not have expenses paid in any way by the firm by which they are employed. The above shall not preclude attending a tournament during the normal vacation period.

4. The amateur archer is self-employed in the manufacture of archery tackle, must not use his shooting prowess or his name or photograph as a basis for selling his wares.

5. An amateur archer will forfeit eligibility as an amateur if:

(a) the archer accepts payment for participating in an archery event or for training for that event or for the demonstration or exhibition of archery;

(b) the archer derives profit and accepts any payment from press, television or film companies in connection with archery activities;

(c) the archer accepts direct payment of expense money from any manufacturer or dealer.

(d) the archer supports advertising for any archery manufacturer or dealer of equipment of any kind; (the long established practice of the manufacturers trade mark on a bow or other archery equipment is not considered as advertising);

(e) the archer accepts, free of charge, archery equipment from any manufacturer or dealer;

(f) the archer shoots for prize money.

6. An amateur archer does not forfeit eligibility as an amateur if:

(a) the archer receives through The Federation of Canadian Archers:

- (i) archery equipment;
- (ii) traveling expenses for participation in any archery event, exhibitions or tournaments;
- (iii) cost of meals and lodging for the purpose of such archery events (corresponding to the actual cost to the archer).

Queen Victoria Shoot

SEAVIEW ARCHERS

May 26 & 27

On the corner of Admirals Road and the Trans Canada Highway.

ROUNDS: Canadian 900, 15 field, 15 hunter (animal targets)
Heavy Tackle - 2 fields and hunters.

FEES: Adults - \$6.00 Juniors and Cadets - \$4.00

TIMES: Saturday afternoon - 1:00 p.m. Sunday morning - 10:00 a.m.
Saturday night - dance and dinner.

Robins (under 12) and cadets (12-14) will shoot two 900 rounds. If cadets wish to shoot the field, they will have to register as a junior. If we have enough robins come, they will shoot 35, 25, 15 meters.

Special unmarked Bowhunters' Round - Saturday morning at 9:00 a.m. FEE - \$3.00

Send pre-registration to: Seaview Archers
Wanda Allan
6557 Brownlee Place
Victoria, B.C.
V8Z 5Y6 652-1951

Camping available on range.
Bring your own water.

NAME: SEX: AGE:

PRO: . . F/S . . BB: . . UNLIM: . . H/T . . F/S . . BB:

SPECIAL UNMARKED ROUND: . . SATURNAY NIGHT DINNER AND DANCE:

+ + + + +

KITIMAT ROD & GUN ASSOCIATION - 3rd ANNUAL PENTATHLON 1000

DATE : June 23

TIME : 9:00 a.m.

PLACE : Kitimat Rod & Gun

Five Event Shooting Competition

1. Large Bore Rifle
2. Small Bore Rifle
3. Pistol
4. Archery
5. Trap

For Information - Contact:
Pentathlon Co-ordinator
Kitimat Rod & Gun Association
Box 121
Kitimat, B.C.

-12-

FRASER VALLEY "MRAC" CHAMPIONSHIPS

JUNE 16 & 17th 900 BRITISH & 900 CANADIAN PROS & AMATEURS
"WAND"

REGISTRATIONS : 9:00 a.m. Shooting 9:30 a.m.

(Bring your own lunch - Coffee will be supplied.)

SATURDAY : Adults - 900 British and 900 Canadian Round 55, 45, 35m
Juniors - 900 British and 900 Canadian Round 45, 35, 25m

SUNDAY : Adults - 6 end WAND and 900 Canadian Round (same distances)
Juniors - 6 end WAND and 900 Canadian Round (same distances)

PROFESSIONALS WILL SHOOT ALL THE SAME EVENTS for the 12th year.

Trophies: Aggregate scores, both for novice and tops, Juniors and Seniors
All divisions will be shot for this year, as well as the famous

HARD LUCK TROPHY

Registrations: Adults - \$5.00 per day or \$8.00 for two days
Inter. & Juniors to 18 - \$3.00 per day or \$5.00 for two days
Professionals - \$ 5.00 per day or \$8.00 for two days
(Pros will make up their own pots)

BRITISH COLUMBIA 1979 SUMMER GAMES in Richmond, B.C.

M.R.A.C. is pleased to announce again that the selection for the B.C. Summer Games will be made at this shoot for the Lower Mainland - Zone 3: Fraser Valley, Surrey, Coquitlam, Port Coquitlam, White Rock, Abbotsford, Chilliwack, Hope, Langley, Mission; Zone 4: Burnaby, Delta, New Westminster, Richmond; Zone 5: Squamish, Lillooet, Vancouver, North Vancouver, West Vancouver, Gibsons, Sechelt.

Selection of scores will be made as - best score shot out of the two Can. 900's

SHOOT LOCATION - Alouette Elementary School - 23121-132nd Ave., Maple Ridge

DANCE _ TO BE ANNOUNCED DURING THE SHOOT (Saturday)

Boorman Archery

TACKLE DISTRIBUTORS

39 - 8th STREET
NEW WESTMINSTER, B.C.
S24-1474

1979 ARROW PRICES 24 March 1979

ALUMINUM ARROWS AND SHAFTS(w/points loose or installed)

DOZEN; _____	SHAFTS	W/FEATHERS	W/RUBBER	W/FOUR FLETCH
GAME GETTERS 24,SHIX	\$ 42.50	\$ 54.00	\$ 62.95	\$ 65.95
X X 75 (GBLD)	\$ 59.50	\$ 66.50	\$ 73.50	\$ 76.50
X 7 (BLUE)	\$ 85.50	\$ 89.95	\$ 99.45	\$102.00

GORDON FIBERGLASS ARROWS AND SHAFTS(c/w/with inserts & broadhead adaptors)

All sizes from A20 to K or old Micro from 1 to 12

complete with broadhead adaptors - add \$ 3.00 per dozen for screw-in points
 \$ 32.95 \$ 43.50 \$ 49.95 \$ 53.95

CROSSBOW BOLTS Fiberglass - \$ 3.75 each c/w rubber fletch and screw in pts.
WOODEN - \$ 1.55 each c/w, feather fletch & field pts.

WOODEN TARGET AND HUNTING ARROWS(Clear or painted dipped)(Spined to 1#)

White Nocks - 40 to 45#, Green Nocks - 45 to 50#, Yellow Nocks - 50 to 55#,
Red Nocks - 55 to 60#, Orange Nocks- 60 to 65#, Blue Nocks - 60 to 70#.

These Arrows complete with Field or Target Steel Blued Points - \$ 1.85 each
SCHOOL WOODEN ARROWS - (Spined up to 35# at either 26 or 28-inches length)
 complete with target points - .95 each or \$ 11.00 dozen

COMPOUND PRACTICE WOODEN ARROWS -

Martins # 280 - 30-inch long drawn steel points 45/50# - \$ 1.75 each

COMPOUND OR STICK BOW FLU FLU ARROWS - WOODEN SPIRELED FEATHERS -

complete with a Rubber HTM Blunt or Steel Blunts - \$ 3.75 each

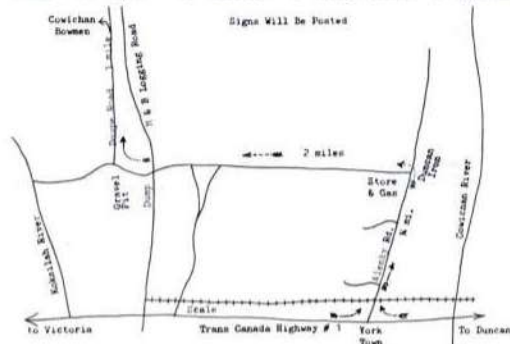
SERVICES AVAILABLE;- Cresting 5.00 Dozen, Straightening Aluminum Arrows 60s each
 RE-FLETCH Target Arrows c/w Feathers \$ 8.00 Dozen, Hunting 5-inch 8.95 dozen
 Target Arrows with Rubber \$13.00 Dozen, Hunting 4 or 5 _inch 14.50 dz.

COWICHAN BOWMEN ANNUAL TOURNAMENT - NAME _____

Adult Robin Pro CLUB _____

Jun. Male Uni.

Cadet Female F/S Barebow Heavy Tackle (please fill in the circle)



VANCOUVER ISLAND OUTDOOR CHAMPIONSHIPS 1979

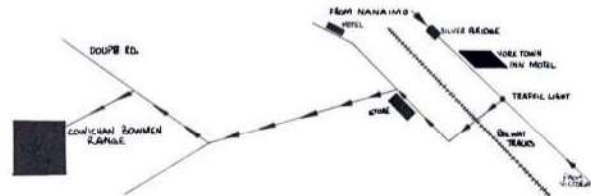
June 30 and July 1 at Cowichan Bowmen Range

NAME _____ CLUB _____

PRO AMATEUR SENIOR JUNIOR CADET MALE

UNLIMITED FREESTYLE BAREBOW HEAVY TACKLE FEMALE

(please fill in circles ●)



THE COWICHAN BOWMEN - wish to announce that they will be hosting their ANNUAL TOURNAMENT

on June 9 & 10/79 at their Range in Duncan, B.C. (see map overleaf)

TIME - Start Sat. at 11:00 a.m. and Sun. at 9:00 a.m.

Everyone will shoot a Canadian 900 Sat. and a Field and Hunters Sun. (something special for Robins)

Price of Shoot: Adults - \$12.00 Jrs., Cadets, Robins - \$6.00

PENALTY for late registrations - Adults - \$15.00

Pre-registration to be in by: June 4. Send to: Richard Kennett
Box 161, Lovers Lane
Cobble Hill, B.C.
VOR 1L0 743-9671

FULL CONCESSION AVAILABLE

EVERYONE WELCOME TO THE ARCHERS' GET TOGETHER AND DANCE

SATURDAY EVENING. Refreshments available at \$1.50 per person.

ALSO: ANNUAL DRAW - Sun., June 10 - side of Beef valued at \$250.00
- or \$250.00 cash. Tickets available at shoot.

For further info. phone John Plank at 749-6234 or Peter Colyn at 748-0883

SEE YOU AT THE SHOOT!!! See back for entry form and map

VANCOUVER ISLAND OUTDOOR CHAMPIONSHIPS 1979

(and qualifying shoot for placing on the Zone Team to B.C. Summer Games)

HOST CLUB: Cowichan Bowmen CHAIRMAN: John Plank
DATES: June 30 & July 1, 1979 Registration: Lynn Plank
PLACE: Cowichan Bowmen Archery Range Box 596, Lake Cowichan, B.C.
(see map on next page) VOR 2G0 Phone 749-6234

TIME: 8:30 a.m. - check in Saturday
9:00 a.m. - first arrow Sat. & Sun.

RULES: FITA (Shooting & Equipment) and Heavy Tackle rules are according to
Vancouver Island Association Rules.

SATURDAY: ROUNDS: Men's Canadian 900
Ladies' 15 Field and 15 Hunters CLOUT. Approximately 3:00 pm
Heavy Tackle - 30 Field, 30 Hunter ANNUAL GENERAL MEETING

SUNDAY: ROUNDS: Ladies' Canadian 900 8:00 p.m. followed by entertainment
Men's 15 Field and 15 Hunters
Heavy Tackle - 30 Field, 30 Hunter
PRE-REGISTRATION to be mailed
by June 26 (post marked)
(see form over-leaf)

LUNCH: Concession available. Registration at shoot may result
in unavailable space.

FEE: Adults : \$6.00 per day
Pros. : \$6.00 per day
Juniors & Cadets. \$3.00 per day

See back for entry form and map

the Coaches Clinic

Lately, there have been cases of tennis elbow happening in the bow arm of some archers. Careful questioning reveals this appears to be happening only to those who use the compound bow. This is not a new trouble for archers. In the days of long-bows, and even into the early days of the modern composite, this used to happen. The last person I knew who had it from shooting a recurve bow was Frank Jones, a one time champion of Canada. Frank had to change over from his natural left hand shooting to right handed. In any case, I recognized the trouble when it was first brought to my notice.

The cause was and is due to the archer holding his bow tightly. Then, as the limbs move forward and fetch up at brace height, they try to keep going as a bow does if shot with an open hand and no bow sling. The elbow is jerked open and the tendons and ligaments are strained beyond their normal elasticity. Tendons and ligaments have very poor blood supply and heal slowly if they ever heal at all.

We eliminated the problem in the past by us using an open hand and a bow sling, so the bow was free to jump away from the hand. In a lighter bow, holding the bow with a loose grip prevented the problem arising. Some persons avoided the problem because they did not and do not shoot enough to have the trouble. Now we have many new archers who have not learned any better, shooting with a tight hold on the bow. The extra weight of the limbs, wheels and cables gives an even greater jerk on the arm than the older bows did. The problem develops quicker.

Hank Wiseman
3961 Wood Avenue
Port Alberni, B.C.
V91 7S7



I consulted with my doctor, my physiotherapist and my chiropractor. They all said much the same thing. A mild case is curable if it is not aggravated by continued use of the bow. The arm must be rested. That means don't shoot at all until the arm is completely healed.

There is no cure cure if the trouble becomes chronic or acute. Some people have found relief with injections of cortisone. In some cases, acupuncture has helped or made an apparent cure. Note that using the bow in the same way will quickly bring back the problem.

The best thing is to prevent it starting. Use an open hand and a bow sling, or, at least use a slack hold on the bow. Also train the arm and elbow, and warm up before starting to shoot.

To train the arm, use a wrist roller and another exercise I will describe. A wrist roller is a round stick about 18" long and 7/8" in diameter. It has a hole through it at mid length. a 1/4" rope is knotted through the hole and about a one pound weight is tied to the end of the rope. It is used in

several ways but for our purposes, the following will do.

Hold it in both hands with the arms held out in front of you at shoulder height. Roll the stick to wind up the rope and lift the weight. Reverse to unwind the rope and wind up in the opposite direction. Do that a dozen times or more in both directions. That will toughen muscles and limber up the tendons and ligaments and joints.

Hold the stick in one hand. Grasp the end with the other hand and wind up again by twisting the stick and your wrist. Do it in reverse.

I hope I can describe the next exercise so you can understand it. Put your left arm down beside you with the elbow slightly bent and your palm facing forward. Bend the wrist forward and up as tightly as you can. As you look down the arm, twist the hand and wrist clockwise as far as it will go. Now, keeping the wrist tightly bent, straighten the arm at the elbow. Do the other arm anti-clockwise.

If done correctly, you will feel a mild ache around the elbow. That is what you are trying to achieve. It is stretching the ligaments and making them more tough and more elastic. Some of my friends have been doing the wrist rolls for years. The wrist and arm twist is new to me, but both are good for all archers to do.

Finally, warm up before shooting by doing a bit of wrist rolling. And remember, only rest will fix the trouble at its onset and nothing is a sure cure if you let it get bad.

QUESTION: Will you please settle an argument that is raging in our club? We want to know whether the fletching on an arrow acts more as a rudder or as a drag to stabilize the arrow.

ANSWER: Neither! The fletching normally acts as a vane which it is. A drag or drogue as it might be called in marine terms simply pulls back in the direction opposite to motion. This is best illustrated by a man and a parachute. The man pulls straight down. The parachute pulls straight up. The parachute tends to follow the man while the man tends to swing over directly under the chute, just like a plumb bob. A fru-fru arrow tends to act that way due to the drag of air friction through the fru-fru feathers. The weight of the arrow pulls due north while the drag of the feathers is straight rearward to the south.

A rudder is used to counteract forces that tend to divert a plane or boat off course. The boat is heading where it is supposed to go but wind and waves tend to try to deflect it. The rudder is over at an angle to the direction of travel, and is actually trying to turn the boat away from its course, but it is countered by the original deflecting force. The force on the rudder is only effective when the rudder is trying to turn the boat. It is always at an angle less than perpendicular to the centre line of the boat. It is non-existent when the rudder is straight; nor does straight fletching have any rudder effect.

A vane works as all weather vanes do. It simply tries to align itself downwind of the point rotation. In an arrow, that is about the point of balance. It only works when the weather vane is pointing at an angle to the wind, or when the arrow is pointing at an angle to its direction of travel. The wind pressure on straight vanes is always perpendicular to the surface of the vane and to the center line of the arrow.

There will always be a small amount of drag on any fletching due to air friction and eddies around the edges of the vanes. There is also a lot of drag and rudder

effect on helical fletching at the start of flight until the arrow has reached full rotative speed. This is why helical fletching stabilizes an arrow quicker than straight fletching. When the arrow has reached full rotative speed, the helical vanes follow the helical path through the air and the rudder effect is lost. Straight angled fletching has slightly more drag in full flight because the vanes follow a helical path but are not helical in shape. In no case does the drag contribute more than a few per cent of the stabilizing effect, possibly little more than the eddying behind the nock.

Maple Ridge Archery Club

* * * BOWHUNTERS' SHOOT * * *

Date: May 6th, 1979 at 10:00 a.m.
Place: MRAC new field course, North end of 232nd Street, Maple Ridge,
off Dewdney Trunk Road.
Fee: \$5.00

Unmarked distances, lifelike silhouettes (NO BUTTS)
Moving targets, speed rounds.
Bring lots of arrows. Field points and Broadheads.

Camping available at 232nd and Fern Cres.
For more information, contact Morris Elliott at 463-6018.
Target equipment is not eligible for prizes.
B.C.A.A. Bowhunting Round Rules will apply.

Bowhunting up North



John Francis
866 Irwin Street
Prince George
V2N 2X9

John Francis

Hi Fellow Archers:

To many people, winter is a time to endure and put up with until spring arrives. To others, like skiers, it is the season they look forward to. Either way, winter is the one season that best makes people aware of the reality of nature. Spring, summer, and fall can go and you can do as you wish but during winter, you must deal with the season. Ignore the hardships that winter can inflict on you and it is assured you won't do the same next winter. It's frozen water and sewage pipes, a car that won't start from a weak battery that survived summer and a terrible pain when your fingers or toes start thawing out after you froze them by neglecting the reality of winter. In this Northland, you can ignore all seasons but winter.

For bowhunters, it can mean a lot of good hunting for rabbits, coyotes and wolf to name a few. However, winter conditions vary and some winters are good for the bowhunter and others you just stay inside and dream about it. So far this winter is a dreamer because we have had a fairly

heavy snow fall as well as very cold conditions. The result is about four feet of fluffy snow. You can't walk on it or through it so us bowhunters will have to await a thaw so we can use skis or snow shoes. A thaw will provide a crust on the snow which makes it possible for skis and snow shoes to stay on top of the deep snow.

However, there are a few bowhunters who won't let four feet of powder snow stop them. Before going any further, I'd better tell you all that Ron McKay finally got a rabbit with his bow. Ron simply would not accept that the rabbits were in their low when he arrived in Prince George. I kept telling him, "Ron, be patient. The rabbits will rise again in a few years," as the varying hare increases and then drops right off by a cycle system. Ron even went as far as to accuse me of fibbing about rabbits galore when they reach the peak in their cycle. Well, the rabbits are starting to peak again and Ron finally "busted a bunny" and I hope he will leave me alone about the rabbits now.

Winter conditions have a definite effect on all species of wildlife. The severity of winter is what determines the fate of wildlife. This is especially true in the northland as our winters are long and winter can inflict a heavy death rate on wintering animals. Certain conditions can become a real killer, even when the winter is a mild one. One condition that is bad is a heavy ice condition underneath the

snow which prevents the ungulates from feeding off the ground. There is no nutrition in ice and the ground ice condition is deadly. It is good when the snow covers the ground and insulates the ground before a ground ice condition sets in. If we get a lot of thawing and freezing in the early part of the winter, ground ice develops but when the temperature stays fairly steady, no ice condition develops.

This winter, we have more snow than we usually do but there is no heavy ice underneath and so the moose will have little trouble getting at what is underneath. The powder snow also benefits the moose in their travels whereas crusty snow inhibits their movements. Barring a drastic change in weather, the moose should make out alright up here this winter. Deer just don't do that well around here because of out heavy snow fall winters. They just aren't big enough to handle the deep snow.

What benefits the moose works the opposite for some other species. One species that will be having a real hungry winter is the wolf. The wolf loses about 90% of its ability to hunt effectively in deep fluffy snow. If the wolves can manage to catch a moose in the deep snow, they will get tromped right into the ground by the moose because the wolf just can't maneuver in the deep snow. A big moose will make hamburger out of a pack of wolves in deep fluffy snow. If present conditions prevail, many wolves will not make it through this winter. So the poor wolf gets his lumps from nature as well.

However, if we get a mid winter thaw, the picture will reverse itself. A mid winter thaw will put a crust in the snow and that inhibits the moose's movements as they have to break through the crust to get around and the crust also cuts the moose's legs which further weakens them. But just guess who becomes super efficient by walking on top of the crust? Once the crust is thick enough to support the wolves' weight, the old wolf is right back in business and then the moose catch hell.

There is a lot of drama that takes place each year in the wilds. Life and death is a part of each day and the will of nature decides if it will be feast, famine or death.

Winter is a slowing down time. We should all look to the pause and ponder the gift that life has to offer us all. The winter birds are quiet, their movements are slower. The animals too have slowed and both seek only food to sustain them. The trees have lost their leaves, their branches are heavy with snow; they stand and wait. Winter can be hard with blizzard snow and bitter cold. But winter is something else too. The snow is soft like a warm blanket. The quiet and stillness is peace of mind. Winter is a time when the land and all on it slows and sleeps. All await the inevitable spring when life begins all over again.

Don't forget our shoots coming up. Support them and make them a success. Phone 963-9469.

Bowhunting

BOWHUNTER'S ROUND - B.C.A.A. Sanctioned

BAREBOW

1. Field points only indoors. Broadheads will be used for some outdoor rounds.
2. No couplers or compensators.
3. No stabilizers.
4. No releases allowed.
5. Minimum of three inch fletching.
6. Minimum of 40 pounds peak weight for compound bows.
7. Minimum of 40 pounds at 28 inch for stick bows.
8. No sighting apparatus allowed.

RANGE RULES

Targets, distances and number of targets to be set by the hosting club. We recommend unmarked distances where possible.

.....
cont. from pg. 11

(b) the archer receives a prize (prizes may not be money) of any kind provided they do not exceed 50 lb sterling for any one tournament. An amateur archer is not permitted to sell such prizes;

(c) the archer is serving in the defense forces of their country and is required to give instruction in archery as a part of his regular duties.

7. The amateur archer may participate for awards or prizes (not cash) in open competition with the professional in competitive events below the Provincial level where the prizes or awards do not



Morris Elliott
24733 Hahnor Ave.
Maple Ridge, B.C.
V2X 4A1



FREESTYLE

1. Field points only indoors. Broadheads for some outdoor rounds.
 2. No couplers or compensators.
 3. Maximum of seven in. stabilizer. 1 only.
 4. No releases allowed.
 5. Minimum of three inch fletching.
 6. Simple fixed sight. No scopes or peep sights allowed.
 7. Minimum of 40 pounds peak weight for compounds.
 8. Minimum of 40 pounds at 28 inches for stick bows.
- Bowquivers or back quivers recommended.

.....
violate rules 5f or 6b of these amateur regulations. The professional may participate with the amateur in Regional, National or International events but shall not compete for the same titles, prizes, or awards as the amateur.

8. The amateur archer will forfeit eligibility to participate in F.I.T.A. sanctioned tournaments if the archer participates in International Archery Championships, Games or Tournaments other than those recognized, controlled or directed by F.I.T.A. or its member associations.

*Editor's note - the round shot would have to be a F.I.T.A. round.

Why Rules?

by Don Lovo



Don Lovo
RR #9, Box 5, Site 8
Calgary, Alberta
T2J 5G5

All F.C.A. Target and Field competition is now governed by current FITA Rules of shooting (FITA Constitution Part VII and VIII, with exception of the References in Articles 800, 801, 803 where reference is made to 28 Target, Field or Hunters). This will be changed to read "30 Target to include two 30 meter walkups from 30, 25, 20 and 15 meters, one arrow from each distance at the 30 cm. face".

Editor's Note - This affects B.C. as we have adopted the F.C.A. rules of shooting.

Target - there is no significant changes in target archery. The F.C.A. elected years ago to shoot all their target events applying FITA timing and rules.

Field - the institution of FITA rules for shooting will drastically affect this section of our National archery scene and though they are well detailed in the FITA book, I would like to just deal with them specifically:

Field Round - General - There will be no changes in the layout of the Field Round that we presently use, as this is the one exception we make to the FITA Field, which includes only 28 rather than 30 targets.

Hunters Round - Four arrows will now be shot at every post rather than the old Canadian one-arrow Hunters. Generally speaking, the Hunters Round is about the same as the Field Round except it is shot at the black face and at World Competition level, it will be unmarked (Canada may or may not wish to have this round unmarked in National competition, although I think they will, to prepare our people for International Teams).

Section 808 - Archer's Equipment

This is the area that really hits us. For several years Canada has accepted that the barebow archer may use any freestyle type of equipment, with the exception of a visible sight. The new rules are more specific about this. Specifically, as they affect you: the barebow archer will now not be allowed to use a stabilizer, a Berger Button, or an adjustable rest, (e.g. 808 c i.e. "not movable"). As I mentioned in several articles FITA definitely still attempts to apply the instinctive concept to barebow archery. I have discussed the faults in this so many times, so I won't go through it again. However, on the good side, I can tell you that I feel confident that substantial changes will be made to the Field Rules in the next two years that will bring them closer to Canada's concept of barebow archery.

Arrows - It will now be necessary to clearly identify the archer's arrows with name, initials or insignia, and each arrow

shall be numbered by the use of a plainly visible ring of approximately 5 millimeter width and 5 millimeter spacing. It is not necessary to have these dimensions exact. It is merely a reference. The intent is to allow a Judge to rapidly identify that you have shot the arrows in proper numerical order on the face and to make sure that your first arrow, which was supposed to go on the top target, did not accidentally fall into the 5-ring on the second target.

String Walking and Face Walking

Up to this point, this was allowed in Canadian barebow archery because we recognize that the barebow archer is, in fact, going to use whatever sighting aids he can. FITA, as I mentioned, does not want this to happen. Therefore, face walking, string walking, or any variation in form that a Judge may think constitutes sighting would not be allowed, including arrows of different lengths which would allow a barebow archer to accurately sight point-on with different arrows. "Would somebody actually try that," you say? You bet! It was tried and the archer was caught by the T.C. in the World Field in Sweden, in 1976

Targets - I have discussed in length the new shooting rotation that will be used by the National Association in a previous article. This was part of FITA Rules which were adopted by the F.C.A. last year.

BOW STRINGS

You say the bow string must by all one color. Tell me, where did you read that? I think that rule applied prior to 1958

in the FITA Book but hasn't been in there since. It used to be because early in the game no visible sight was allowed and archers used to use an effective sight by having different colored string serving on their bow string. That became obsolete as soon as proper adjustable sights were allowed on the front of the bow.

It is not entirely obsolete, however, because certainly our modern tournament archer would love to have a peep sight or a rear mark to give him dual sights. The bow string may be any color and the serving may be any opposite color and the end nock loops can be any third color.

The restrictions are as follows. There must be nothing on the bow that will aid in visual aiming - peep hole, marks, or any other means. That could include a loose strand right at eye level and that has certainly been tried by a wily, crafty archer and just as often caught by just as wily and crafty a judge.

One nocking point is allowed but that can constitute two actual little nocking locators above and below the arrow. If, however, these nocking locators are a long ways apart, allowing for the arrow to be moved to the top locator or the bottom locator for sight adjustment, then that second locator becomes a second nocking point which is not allowed.

An additional attachment is allowed, most often in the form of a kiss button, but many people use a wrapping on the string that fits under their nose or under their chin or anywhere else. That is the end of it. Nothing else is allowed on the string-

For instance, you can't have a kiss nock and a nose nock. The book clearly says "one attachment" and this attachment must not exceed one centimeter in any direction. That is why your Judges all carry around those little plastic measuring devices.

While we are talking about one centimeter size, the obvious question is "why one centimeter? Why not a centimeter and a half or two tentimeters or a half a centimeter?" Well, the same thing applies here that applies through our any rules book. Some level has to be established and if it is established, then that is the rule. Don't fight it; just live with it. I am sure a 60 mile an hour zone on the highway could just as well be a 59 or a 61 mile an hour zone, but the highway Traffic Act says 60 miles an hour and that is the way it will be until someone changes it.

FEDERATION OF CANADIAN ARCHERS INC.

Membership Application

Fee: Individual \$10.00
 Family \$15.00
 Junior \$ 5.00

Name
 Address
 City
 Province
 Postal Code Birth

For family applications, please list names and birth dates for juniors.

Remember, every FCA member helps B.C. with out allotment of FITA STAR Tournaments.

1979 APPLICATION FOR MEMBERSHIP TO THE B.C. ARCHERY ASSOCIATION

NAME _____ Male _____ Female _____
 ADDRESS _____ CITY _____
 PROVINCE OR STATE _____ POSTAL CODE _____
 PHONE _____ CLUB _____

ADULT DUES	\$10.00	All memberships include the
HUSBAND & WIFE	\$15.00	B.C. Archer Magazine.
EACH ADDITIONAL CHILD	\$ 1.00	Cloth Crests cost \$3.50 (B.C.A.A.)
JUNIOR MEMBERSHIP (under 18)	\$ 2.00	B.C.A.A. Decals cost \$.50
JUNIOR OLYMPIC MEMBERSHIP	\$ 5.00	
B.C. PROFESSIONAL MEMBERSHIP	\$15.00	You must be a member of the B.C.A.A.
SUBSCRIPTION ONLY	\$ 5.00	to participate in the B.C. Indoor and
		the B.C. Outdoor Championships and
		the B.C.A.A. Mail Matches.

Send subscription to Membership
 James Wiebe, 1905 37th Ave., Vernon, B.C.

Directors Meeting

Minutes of the meeting of the Directors of the British Columbia Archery Association, held February 11, 1979, at the residence of Dave Mann in Vancouver, B.C.

Meeting was called to order by the president at 10:07.

MOVED by Don Warren/Jim Wiebe, that the minutes of the previous meeting be adopted as recorded.

BUSINESS ARISING FROM THE MINUTES

FITA rule books have arrived and are available from the president for \$3.50 each. The new FCA rule books are also available from Carol Mallett for \$1.00 plus postage.

The butts for the B.C. Indoor are in good shape, reported by Jim Wiebe. He will ship them up to Vernon in a trailer and store them there rent free after the tournament.

The new handbook for the JOP is ready.

Liability insurance: A letter from Carol Mallett was read about the coverage available through FCA. Any manager or coach travelling with the team will be covered by the insurance. Extra coverage is up to each individual. The premium is \$15.00.

REPORTS

PRESIDENT: The president reminded everybody to send their reports to the secretary for duplication. This time only four reports were received.

TREASURER: Absent - The report received stated that there is about \$11,500 in the bank. The position of the treasurer was discussed. Recommendations will be made at the next meeting.

MEMBERSHIP: About half of the membership fees are now in. The next Archer is in envelopes with notification of membership fees inside. There is a projected 700 membership for this year. Membership has been increasing slowly for the last 10 years, about 5% a year. Membership application forms are available.

Roy reported that Victoria Bowmen has a stipulation in its constitution that after two years the membership will have to be all inclusive (FCA & BCAA). Every club could make the same rule and we could get more members in FCA and so qualify for more FITA STAR tournaments. Some members don't want to belong to B.C.A.A. or F.C.A. because of the cost.

MOVED by Don Warren/Roy Jarvis that BCAA institute a program whereby a prize is given to the member sponsoring the most new memberships from October 1st to the AGM in 1979. The prize to be awarded will be one dozen arrows of the winner's choice. CARRIED

Morris remarked that we might be able to get more members when we get the new bowhunters rules and get them into tournaments.

THE B.C. ARCHER: One issue will again be dropped this year. September and October issues will be combined. Dave Webb made calculations and said that the saving would be about \$100 and worthwhile.

MAIL MATCH: 53 participants this year made the mail match the biggest yet. There is no cost to BCAA as the fee pays for the medals and mailing. Jim will finish this year's but we should try to find a replacement for next year. Terry Purcell will look into this matter and report to the president.

Jim Wiebe had samples of other provinces' Archery magazines. Alaska apparently has an excellent magazine and they would like to advertise in our Archer and viceversa.

JOP : Results from the regional shoot are looking good; top score was 289 shot by Tom Kennedy from Maple Ridge.

The JOP Championships will be held in Comox. There will be strict rules for the youngsters and anyone misbehaving will not be allowed to shoot and money will not be refunded in that case. The JOP pin contest was won by Vesa Myllyniemi and the sample pin is in Dave Ball's hands for manufacturing. The cost will be taken from the travel fund and all the proceeds from the sales will go into the travel fund. The same type of contest will be held for the crest.

Don Rittaler will have a clinic for Olympians in Victoria.

Roy reported that one third of the Victoria Bowmen FITA II shoot profits will go to the JOP travel fund.

Discussion followed about the cost of the lights used in tournaments. There will be a rental fee of \$5.00 for each club using them. Requests for rental should be sent to the secretary or treasurer. Each club is responsible for transportation costs. Roy will report on the condition of the old lights at the next meeting.

CLINICS CHARIMAN : MOVED by Dave Webb/Don Warren that the report be adopted as presented.

CARRIED

Dave Mann also reported that he has two clinics under way, one in Prince George and another in Victoria at Seaview Archers.

Don Rittaler has three clinics coming up, one in Victoria, one in the Lower Mainland and one in Prince Rupert. These are basic shooting clinics for youngsters.

Dave also reported that he has about 20 to 24 people so far in his pool for assisting with their expertise. The president remarked that already great progress has been made. Cost of going to put up a clinic was discussed. Terry Purcell pointed out that the airlines give a good discount if you buy and pay for your ticket at least seven days in advance. The instructor's travel costs will be covered by BCAA. Dave reported that he had received

a letter from Ron Genge after the recent coaching clinic in Victoria saying that there is a lot of knowledge in B.C., but unfortunately, many people don't know how to write an exam. Seven people passed the level III coaching. Prince George wants a level I-II clinic. Each province can expand the clinics to their own liking. Dave also had a meeting with Sandra West with some good communication. Roy was questioning about spontaneous clinics. He has to travel around the province in his job and wanted to know if he could just get in touch with local people and ask if they would like an instant clinic. It would be helpful. Dave would also like to get some feedback from the clubs as to how the instructors did their job, etc. Written criticism should be sent in to him.

BOWHUNTING CHAIRMAN : After a lengthy discussion of the new rules for bowhunters, it was **MOVED** by Don Warren/Dave Webb that the rules in the bowhunting report be adopted with the exception of #2 and addition to #1, "unmarked distances will be used when possible." **CARRIED**
Cost of the bowhunting crests is getting to be a problem. Minimum orders are more than we need, but Terry Purcell reported that they have not had any problems in ordering just a dozen.

MOVED by Don Warren/Stan Teitge that \$500 be allotted for bowhunters awards. **CARRIED**
Dave Webb suggested that Morris should send a sample in and ask for an estimate on cost. Morris suggested that a book about conservation of species should be read by every bowhunter. Don said that we should give Morris support in making a program for TV-10 and try to get a copy of the film to be shown at several clubs later on.

Minutes from the bowhunters meeting were circulated and caused a long discussion. They should be considered and any motion passed has to be accepted by the Board of Directors to be the policy of B.C.A.A.

All the motions passed at the bowhunters meeting were examined by the board and adopted by the B.C.A.A.

MOVED by Morris Elliott/Don Warren that B.C.A.A. sponsor an annual bowhunters meeting in conjunction with some outdoor shoot. **CARRIED**

MOVED by Morris Elliott/Dave Webb that the B.C.A.A. drop the small game awards for the individual species and present only the Master Bowhunters Small Game Crest when the bowhunter has reached the required number of points. **CARRIED**

With so many species of small game being taken, but only a few of each, it is not economical for us to purchase the medals required.

Morris reported that whenever there is a shoot, Pearson Archery will send a representative with films to the shoot.

ZONE CHAIRMEN : Terry Purcell reported that out of 14 questionnaires sent out, 8 written ones and one verbal one came back with all reporting positive to the zone change.

MOVED by Terry Purcell/Don Warren that the B.C.A.A. adopt the new zones as proposed in the new map. (see back of Archer) **CARRIED**

Terry reported that a meeting was held and that Don Ferguson was elected as the new Zone Chairman on # 6. He will be contacted to notify him of the appointment.

OFFICIALS CHAIRMAN : **MOVED** by Don Warren/Morris Elliott that the report be adopted. **CARRIED**
Roy had an officials program book from Alberta on hand. He would like to bring a couple more levels in officiating in the same manner as coaching. We do have a problem in applying the rules even if we know them. A package will be made out by national office as soon as some changes are made. Anybody can purchase a rule book. An article can also be copied from the national magazine. The new FGA rule book will be reprinted shortly because of some mistakes made in the recent reproduction. If the rules were printed in short form, maybe people would read them.

The president questioned Roy if he is getting any requests for officiating and was told that several shoots have already been covered. Better programming could be set up for officiating clinics to make them a bit livelier. Roy will propose a new type of exam with no multiple choice questions.

FUND RAISING CHAIRMAN : Absent. Discussion about possible ways to raise money was held. The Board approved in principle that fundraising committee chairman be authorized to print tickets for the draw to be registered under the B.C. Lottery Act. Morris questioned about the money received from holding a clinic. Dave Webb said that probably the club could donate some of the proceeds to the B.C.A.A. but that is entirely up to the club.

FINANCE COMMITTEE REPORT : The failure of this committee is in effective communications. Dave Webb made some recommendations as to how the money should be divided. Some figures from the previous years are misleading.

Recommendations:	1 - Administration	19%
	2 - The B.C. Archer	28%
	3 - Tournaments and competitions	6%
	4 - Clinics	19%
	5 - JOP	28%

This would provide administration with \$3310, The Archer with \$5590, tournaments with \$200, clinics with \$2800 and JOP with \$5400.

A lengthy discussion about making money followed. Maybe the Lottery should be approached. There is also a need to fix a financial year. Financial reports have been done at too many different dates in the past.

MOVED by Don Warren/Jim Wiebe that Dave go ahead with the proposed figures. **CARRIED**

SOCIETY ACT : It has been difficult to organize but it is now done, reported by Dave Webb. It is vital that all directors list their occupations in the association.

Junior Olympics

ALBERNI BOWMEN

Co-ordinator - Dave Love
Assistant - Hank Wiseman

Peter Love Expert Archer
Art Hubert Master Archer
Frank Zemaneck Master Archer

BULLLEY VALLEY BOWMEN

Co-ordinator - Larry Lee

Steve Portsch Olympian
Randy Lee Bowmen
Martin Halvorson Bowman
Sean Mitchell Bowman
Brian Sikkes Junior Archer

CFB COMOX ARCHERY CLUB

Co-ordinator - Thanna Buchner
Assistant - Don Buchner
- E. Lee

Shawn Cavers Olympian
Todd Balfe Expert Bowman
Garrett Hjeltnes Expert Bowman
Greg Geisler Expert Bowman
Roger Hickson Master Archer
Pat Byrne Archer
Mike Hume Bowman
Blake Bourgeois Bowman
Peter Bourgeois Bowman
Steve Hjeltnes Bowman
Nigel Packham Bowman
Paul Greer Junior Archer
Jeff Smith Bowman
Stirling Sohn Bowman
Bruce Belliveau Bowman
Ken Jennings Bowman
Chris Harpell Junior Bowman
Stuart Buchner Yeoman
Francis Knowlton Yeoman

COWICHAN BOWMEN

Co-ordinator - Richard Kennett
Assistant - Peter Colyn
- Deb Colyn

Wes Eversden Expert Bowman
Robert Burns Expert Bowman
Kay Ringham Expert Bowman
Graeme Smith Master Archer
Angela Keller Master Archer
Donald Sutherland Archer
Peter Wells Archer

-32-



JOP Co-ordinator

Cliff Allan

905 Dunn Avenue

Victoria, B.C.

V8S 2S5

Bonnie Lou Sutherland Archer
Sylvia Keller Archer
Peggy Keller Bowman
Susan Sutherland Bowman
Jack St. Denis Bowman
Norman Rinehart Bowman
Johnny Joseph Bowman
Donald Gronlund Bowman
Gordy DeGraaf Bowman
Hubert Charman Yeoman
Trevor Winter

EAGLE VALLEY ARCHERS

Co-ordinator - Hugh Conn

Murry Conn
DeWayne Conn

HASTINGS COMMUNITY CENTER

Co-ordinator - Laurie Stover

Gavin Kernaghan Expert Bowman
Stuart Martin Archer
George Tamassy Archer
Garry Coates Bowman
Thierry Laroche Junior Archer
Dwight Manweiler Junior Archer
Dave Rolston Junior Bowman
Roy Frattinger

HILLSIDE BOYS & GIRLS CLUB

Co-ordinator - Dick Mak
Assistant - Les Quarton

Gary Cooper Olympian
Mark Renfrew Expert Archer
Darren Belisle Expert Archer
Bob Bell Expert Bowman
Craig Perrell Master Archer
Colleen Teerling Master Archer

Hillside - continued

Dawn Kelly Master Archer
Colin Bartlett Master Archer
Kevin Bunnett Master Archer
Vanisa Teerling Archer
Brian Mak Archer
Stephen Teerling Junior Bowman

KERRYDALE BOWMEN

Co-ordinator - Earl McGregor

Dan Parrett Olympian
Grad Conn Expert Bowman
Spencer Ostrom Expert Bowman
Doug Parrett Master Archer
David Crawford Master Archer
Ron Wallace Archer
Randolf Kjorrefjord Archer
Michael Suedfeld Archer
Bill Ritchie Bowman
James Wall Junior Archer

KITIMAT BOWMEN JUNIORS

Co-ordinator - Armelle Kennedy
Assistant - Ray Webster

James Gairdner Archer
Paul Gairdner Bowman
Robert Charneski Junior Archer
Gary Charneski Junior Archer
Mark LeFranc Junior Archer
Doug Bassett Junior Bowman
Stephen Ong Junior Bowman
Erad Chapple Yeoman
Donald Farquharson Yeoman
Michael McNeice
Dana Propp
Barbie Stockman
Edward Abbott
Rob Glanville
Alan Sheil

MAPLE RIDGE JOP ARCHERY

Co-ordinator - Marj Saunders
Assistant - Carl Ulriksen
- Tim Parker
- Darrel Johnson

Tom Kennedy Olympian 280
Jeff Ulriksen Olympian 270
Susan McDonald Olympian 260
Bill McDonald Olympian 270
Tim Parker Olympian 260
Alferd McDonald Olympian
Neil Burroughs Olympian
Margaret McDonald Olympian

Randall Neaves Expert Archer
Rochelle Sevigny Expert Bowman
Roberta Burroughs Expert Bowman
Keith Heppner Master Archer
Mark Heppner Master Archer
Lauren McCloud Master Archer
Eric Terweil Master Archer
Rich Johnson Archer
Wayne Sevigny Archer
Jamie Linn Archer
Robbie Jorgensen Bowmen
Bill Watling Bowman
Darlene Johnson Bowman
Mike Stewart Junior Archer
Heidi O'Neil Archer

MARPOLE

Co-ordinator - Alex Birbeck

Henry Kwok Master Archer
Edward White

MT. WADDINGTON INDOOR ARCHERY

Co-ordinator - Priscilla O'Neil
- Romaine O'Neil

Tim O'Neil Expert Bowman
Darren Patrick Archer
Morrice Ball Archer
Michele Gradwell Junior Archer
Mike Bradley Junior Archer
Nelson Ball Bowman
David Cameron Bowman
Micheal Thomas Junior Bowman
Preston Stone Yeoman

NANAIMO

Victor Walther Olympian 260

PENTICTON HIGH SCHOOL ARCHERY CLUB

Co-ordinator - Doug Soar

Darcy MacKowetsky Olympian
Louise Soar Expert Bowman
Steven Holmes Expert Bowman
Robert Oddy Master Archer
Robert Lintott Archer
Doug Gartrell Junior Bowman
James Leong
Ben Willis
Rhonda Barton
Rob Houtman

-33-

QUICK DRAW ARCHERS

Co-ordinator - Ray Landstrom
 - Gary Denton
 - Russell Primrose

Vesa Landstrom Olympian
 Brian Landstrom Olympian

RAINBOW ARCHERS

Co-ordinator - Dick St. Louis
 - Pat Brandt

Pat St. Louis Olympian 260
 Joy Harrison Expert Archer
 Chris East Expert Archer
 Delwayne Campbell Expert Bowman
 Chris Vancher Expert Bowman
 Kevin Vancher Bowman
 Bruce Parsons Bowman
 Rod Ethier Junior Bowman
 Danny Fillion Teaman
 Shelagh Langley Teaman
 Wendy Langley Teaman
 Billy Keating Teaman

SAANICH PENINSULA BOWMEN

Co-ordinator - Keith Waters
 Assistant - Bruce McKay

Brian Carmichael Expert Bowman
 Garth Strandberg Master Archer
 Wayne Carmichael Archer
 Chris McKay Archer
 Dean Smith Bowman
 Warren Copeland Bowman
 Steven Bolster Junior Archer
 Naimie Kirk Junior Bowman
 Gordie Kirk Junior Bowman

SEAVIEW

Co-ordinator - Cliff Allen
 Assistant - Helena Myllyniemi
 - Rose Allen
 - Wanda Allen
 - Kevin Teitge
 - Vesa Myllyniemi
 - Lave Sager

Vesa Myllyniemi Olympian 270
 Piona Lempiun Olympian 260
 Lave Sager Olympian 260
 Roberts Barser Olympian 260
 Patti Myllyniemi Olympian
 Marilyn Teitge Olympian
 Mark Heine Olympian
 Ian Muir Olympian
 Angela Dramer Olympian

John McDonald Olympian
 Laura Barker Expert Archer
 Chuck Totten Expert Archer
 Tanna Allan Expert Archer
 Pete Sager Expert Archer
 Shirley McClusky Expert Bowman
 Beverly McClusky Expert Bowman
 Scott Watkins Expert Bowman
 Gary Bannard Expert Bowman
 Rick Taylor Expert Bowman
 Bill White Expert Bowman
 Steve Moore Expert Bowman
 Dana Ronseini Expert Bowman
 Robert Sorensen Expert Bowman
 Bruce Taylor Master Archer
 Dan White Master Archer
 Brian McDougall Archer
 Don Noble Archer
 Pat Fox Bowman
 Valerie Hickman Bowman
 John Espley Junior Archer
 John Christoffersen Junior Archer
 Troy Sullivan Junior Archer
 Brian Nelson Junior Archer

SOOKE ARCHERS

Co-ordinator - Al Jones

Rick Newham Olympian 260
 Kevin Jones Master Archer
 Jeff McKay Expert Bowman
 David Patterson Master Archer
 Eldon Smith Master Archer
 Stephen Jones Archer
 Leslie Patterson Archer
 Richard Kennedy Archer
 John Jadresko Archer

VERNON JUNIOR TOKOPHILITES

Co-ordinator - James Wiebe

Sherylyn Llewellyn Expert Bowman
 Mark Holzer Expert Bowman
 Richard Weighill Master Archer
 Darlene Douglas Archer
 Frank Sander Bowman
 Sandy Winters Bowman
 Joe Clubine Bowman

VICTORIA BOWMEN

Co-ordinator - Dave Ball

Ian Hicks Olympian
 Perry Congrove Olympian

Olympian

Expert Archer
 Expert Archer
 Expert Archer
 Expert Archer
 Expert Bowman
 Expert Bowman
 Expert Bowman
 Expert Bowman
 Expert Bowman
 Expert Bowman
 Expert Bowman
 Expert Bowman
 Expert Bowman
 Master Archer
 Master Archer
 Archer
 Archer
 Bowman
 Junior Archer
 Junior Archer
 Junior Archer

RICHMOND ROD & GUN CLUB

Co-ordinator - Don Rittaler
 Assistant - Dave Mann

Alan Foreshaw Olympian 280
 Richard Elomere Olympian
 Martin Flook Master Archer
 Dave Mathews Master Archer
 Allan McMillan Master Archer
 Chris Fisher Archer
 Jonathan Campbell Archer

VERNON FISH & GAME CLUB

Co-ordinator - Bruce Ryan

Jeff Ryan Expert Archer
 Laurie Johnston Master Archer
 Alvin Kleinlein Expert Archer
 Tim Reid Expert Bowman
 Kris Williams Teaman

SEMIKAMOO

Co-ordinator - Ted Hirschfeldt

Ian McCulloch Olympian
 Robert Schlase Archer
 Michael Hines Junior Bowman
 Rob Cook Junior Bowman

UNLIMITED ARCHERS

Co-ordinator - Rosalin Burgess
 Assistant - Ralph Burgess
 - Cec Neehan

Ian Hornung Bowman
 Mark Freistadt
 John Padwick
 Duncan Brennan
 Anne-Marie Brennan
 Sean Schooling

OUTDOORS - New scoring now in effect - see new handbook.

Team selection for the Canadian Outdoor is taken from the top two FITA scores from:

Canadian FITA - Victoria Bowmen - May 12,
 Canadian FITA - Victoria Bowmen - May 12, 13
 FITA STAR - Seaview Archers - Jun 23, 24
 FITA STAR - M.R.A.C. - Jul 28, 29

Six scores may be shot with the top two used.

There will be 12 archers on the team.

3 Junior Boys 2 Junior Girls
 3 Cadet Boys 2 Cadet Girls
 1 Barebow Jun. 1 Barebow Cadet

Qualifying scores are being considered.

We will know by the May 12 Directors' meeting.

Possible Scores:

Junior Boys Freestyle - 1050
 Junior Girls Freestyle - 1000
 Cadet Boys Freestyle - 1050
 Cadet Girls Freestyle - 1000
 Barebow Boys Cadet - 600
 Barebow Boys Junior - 800
 Barebow Girls Junior - 700
 Barebow Girls Cadet - 600

DATE CHANGE - due to the FITA STAR on the date of June 24, the JOP Championships (outdoor) will be on July 15.

Any Junior or Cadet - please send me a copy of any FITA you shoot this year.

MONTHLY AVERAGE FOR FEBRUARYJUNIOR BOYS FREESTYLE

Tom Kennedy	280	20 points
Pat St. Louis	269	18
Bill McDonald	264	16
Vesa Myllyniemi	254	11
Darcy Mackowetsky	251	6
Tim Parker	250	5
Shawn Gavers	246	9
Ian Hicks	241	9
Chris East	235	11/2
Lave Sager	234	2
Randy Neaves	223	
Steve Holmes	210	
Mark Holzer	209	
Robert Sorensen	185	
Robert Oddy	184	
Rick Taylor	174	
Ian Muir		1/2

Monthly Averages - continued

JUNIOR BOYS BAREBOW

Gary Cooper	232	20	points
Darren Bellale	221	9	
Greg Geisler	185	16	
Roger Hickson	154	7	
Colin Bartlett	135	15	
Kevin Bunnett	118	5	

CADET BOYS BAREBOW

Mark Renfrew	219	20
Pete Sager	208	18
Craig Perell	116	15
Brian Carmichael		7

JUNIOR GIRLS FREESTYLE

Susan McDonald	264	20
Darlyn Teitge	233	18
Shery Llewellyn	205	8
Roberta Burroughs	198	14
Rochelle Sevigny	191	12
Faivi Myllyniemi	185	13

CADET GIRLS FREESTYLE

Roberta Barker	245	19
Margaret McDonald	245	17
Tanna Allan	222	15
Fiona Lamplugh	184	13
Louise Soar	167	11
Angela Cramer		10

CADET GIRLS BAREBOW

Collen Teerling	157	10
Dawn Kelly	105	9

CADET BOYS FREESTYLE

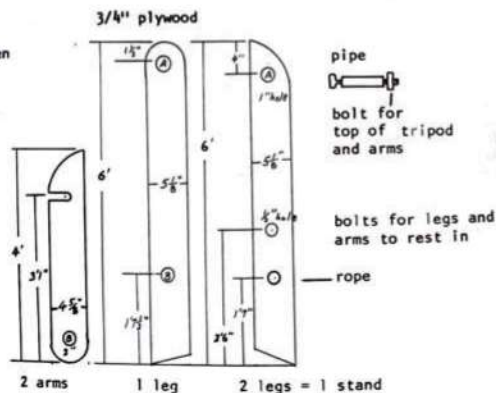
Jeff Ulriksen	266	20
Alfred McDonald	245	17
John McDonald	235	17
Kevin Vaccher	220	7
Dewayne Campbell	215	12½
Chris Vaccher	210	11½
Steve Moore	187	4
Dana Hosseini	164	7
Erik Terweil	151	2
Bill White	140	4
Mark Heppner	125	2
Scott Watkins	116	5

CLUB HINTS

Stands for 48" metts.
This stand will lean back
15°. Use a rope 2'8" between
the front legs.

Use bolt through A-A
to make tripod.

Bolt B-B on each leg
and arm.



B.C. ARCHERY ASSOCIATION - CLUB DIRECTORY

1. Alberni Bowmen	H. Wiseman	3961 Wood Ave	Port Alberni	V9Y 7S7
2. Babine Bowmen	B. Morris	Box 10	Granisle	VOJ 1W0
3. Beaver Bowmen	F. English	Box 715	Merritt	VOK 2V0
4. Birchwood Bowmen	L. Podmoroff	Box 1541	Grand Forks	VOR 1B0
5. B.C. Para Association	T. Parker	6526 Patterson Ave.	Burnaby	V5E 2H3
6. Buckley Valley Bowmen	L. Lee	Box 2863	Smithers	VOJ 2N0
7. Capilano	Dave Webb	1224 Grand Blvd.	North Vancouver	V7L 5X4
8. CFB Comox Archery Club	B Per O	CFB Comox	Comox	VOR 2K0
9. Chehalis Bowmen	R. Gagnon	877 Henderson	Coquitlam	V3K 1P1
10. Cobble Hill Junior Archers	K. Kiernan	Malahat PO	Malahat	VOR 2L0
11. Cowichan Bowmen	L. Plank	Box 596	Lake Cowichan	VOR 2G0
12. Creston Valley Archers	L. Lattijohn	Box 98	Erickson	VOR 1K0
13. Golden Arrow	M. Pierce	Box 894	Ladysmith	
14. Hastings Community Centre		3096 E Hastings	Vancouver	
15. Hillside Boys & Girls Club	D. Nak	11339-84th Ave	Delta	V4C 4B4
16. Kain Island Archers	E. Walker	1224 Alexandra	Prince Rupert	
17. Kamloops Archers	C. Welch	1855 Chateaux St	Kamloops	V2E 5B3
18. Kerrydale Bowmen	E. McGregor	2064 W 47th Avenue	Vancouver	V6M 2M4
19. Quick Draw Archers	K. Jones	#20 Shannon Tr. Cr.	Kispiox	V1A 2B5
20. Fire Mountain Archers	A. Kennedy	57 Plover Street	Kitimat	V8C 1M1
21. Kitilano Archers	D. Crump	6827 Knight Street	Vancouver	V5E 2A4
22. Langley Rod & Gun	E. Oswald	3894-208 Street	Langley	V3A 4Z7
23. Lilloett Archers	M. Mayede	Box 675	Lilloett	VOK 1V0
24. Lower Mainland Archery Assn.	F. Talbot	1923-7th Avenue	New Westminster	V3M 2L4
25. Marpole	A. Birbeck	4385-57th Street	Delta	V4E 3C5
26. Maple Ridge Archery Club	G. Oike	Box 262	Maple Ridge	
27. Max Cameron Archers	D. Paul	4360 Joyce Avenue	Fowell River	
28. Metchoan	B. McCulloch	1085 Shaw	Victoria	
29. Mission Archers	E. Lehmann	Silverdale Road RR 2	Mission	V2V 4B9
30. Mt. Waddington Ind. Ar. Club	L. Kallston	CFB Holberg	Holberg	
31. Nanaimo Archers	B. Chipperfield	716 Nicol Street	Nanaimo	V9B 4V1
32. Nelson Archers	R. Levitt	516 Cottonwood	Nelson	V1A 3V6
33. Nevada Bowmen	Pete Thauberger	#18-98 Okanagan Ave. E	Penticton	V2A 5L5
34. North Delta Archery Club	D. Nak	8434 Sullivan Place	Delta	V4C 4B4
35. Northland Bowhunters	L. McKay	#16 Sintich Tr. Cr.	Prince George	V2B 2J3
36. North Island Archers	L. Smith	Box 93	Fort McNeil	
37. Peninsula Archers	K. Waters	10290 Godfrey	Sidney	
38. Pent. N. S. Archery Club	D. Soar	2620 McKenzie	Penticton	V2A 6H7
39. Port Edward Outlaws	D. Soar	Box 1075	Port Edward	VOV 1G0
40. Port Hardy Archers	K. Koppang	#33 Alder Tr. Cr.	Port Hardy	
41. Powell River Archer	W. Seney	6328 Poplar Street	Powell River	V8A 4L4
42. Pro-Am Archers	R. Brooman	#39-54th Street	New Westminster	V3M 3M7
43. Rainbow Archers	Ron Walker	c/o P.O. Box 100	Prince Rupert	
44. Richmond Rod & Gun Archers	D. Rittaler	8971 Spires Road	Richmond	V6Y 1M6
45. Sagittarius Archers	R. Cook	3043 Old Clayburn	Abbotsford	V2E 4N2
46. Salmon Arm Archers	E. Jensen	RR #1	Salmon Arm	VOE 2T0
47. Sapperton Archers	D. Grant	7640 Cumberland	Burnaby	
48. Seaview Archers	W. Allen	6557 Brownlee	Victoria	V8Z 5Y6
49. Seniamoo	R. Sanderson	Elks Hall	Waterloo	V4A 5M9
50. Serpent Archers	D. Derroche	209-9th Avenue	New Westminster	
51. Shuswap Archers	J. Halvorson	Box 223	Lumby	VOE 2B0
52. Silvertip Archers	T. Purcell	3722 Brentwood	Prince George	V2K 5C1
53. Sooke Archers	A. Jones	Box 252	Sooke	VOE 1M0
54.				
55. Unlimited Archers	R. Burgess	#226-6555 Telford	Burnaby I	V5B 2E1
56. Vernon Archers	J. Ryan	3101-37th Avenue	Vernon	V1T 2E3
57. Vernon Junior Toxophilites	J. Wiebe	1905-37th Avenue	Vernon	V1T 2M9
58. Victoria Bowmen	Dr. C. Lamplugh	1830 Fairburn Drive	Victoria	V8N 1P9
59. Victoria Fish & Game		Box 93	Victoria	
60. Western Assn. of Bowhunters	R. Downey	4370 William	Burnaby	V5C 3J9
61. Wildlife Archers	A. Brown	23732 Locust Way	Bothel, Wash. USA	98011
62. Cariboo Archers	T. MacKennie	1609 Juniper Street	Williams Lake	V2G 3C2
63. Quennel Archers	D. Karey	1930 Marble Street	Quennel	V2J 4M4
64. Skeena Archers	Ed Morris	Box 906	Terrace	V8G 4E2
65. Coyote Archers	Jackie Palmer	Box 614	Dawson Creek	V1G 4B5
66. Eagle Valley Archers	Marlene M. Conn	RR #1 Green Road	Sicamous,	VOE 2V0